

# Report from Lantmäteriet

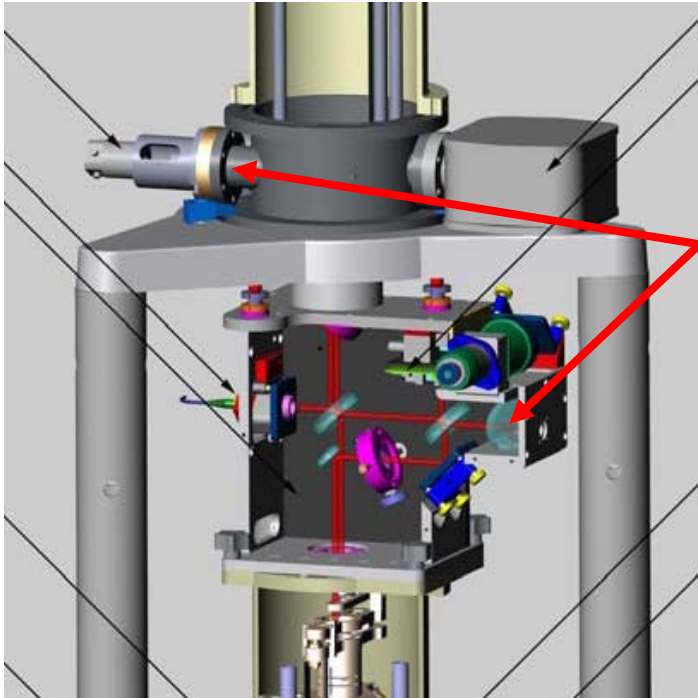
Sweden

2009

LANTMÄTERIET



# FG5-233 related issues



- Laser losing power
- Rattler shook loose
- Feedthrough leakage
- Ion pump internal battery dead
- Service at Micro-g LaCoste, winter 2009-10
  - *new lasertube*
  - *new ion-pump*
  - *new feedthrough*

# Sites observed in 2009



- Mårtsbo winter
- Visby May
- Smögen May
- Onsåla July  
(*SG calibration*)
- Östersund July
- Arjeplog July  
(*Kiruna ----*)
- Ratan Aug
- Lycksele Aug
- **Paris** **Oct**  
(*no other comparisons*)
- Mårtsbo Nov

Swedish stations and metadata on observations → "Agrav" database (BKG, BGI)

# Preliminary plan for 2010



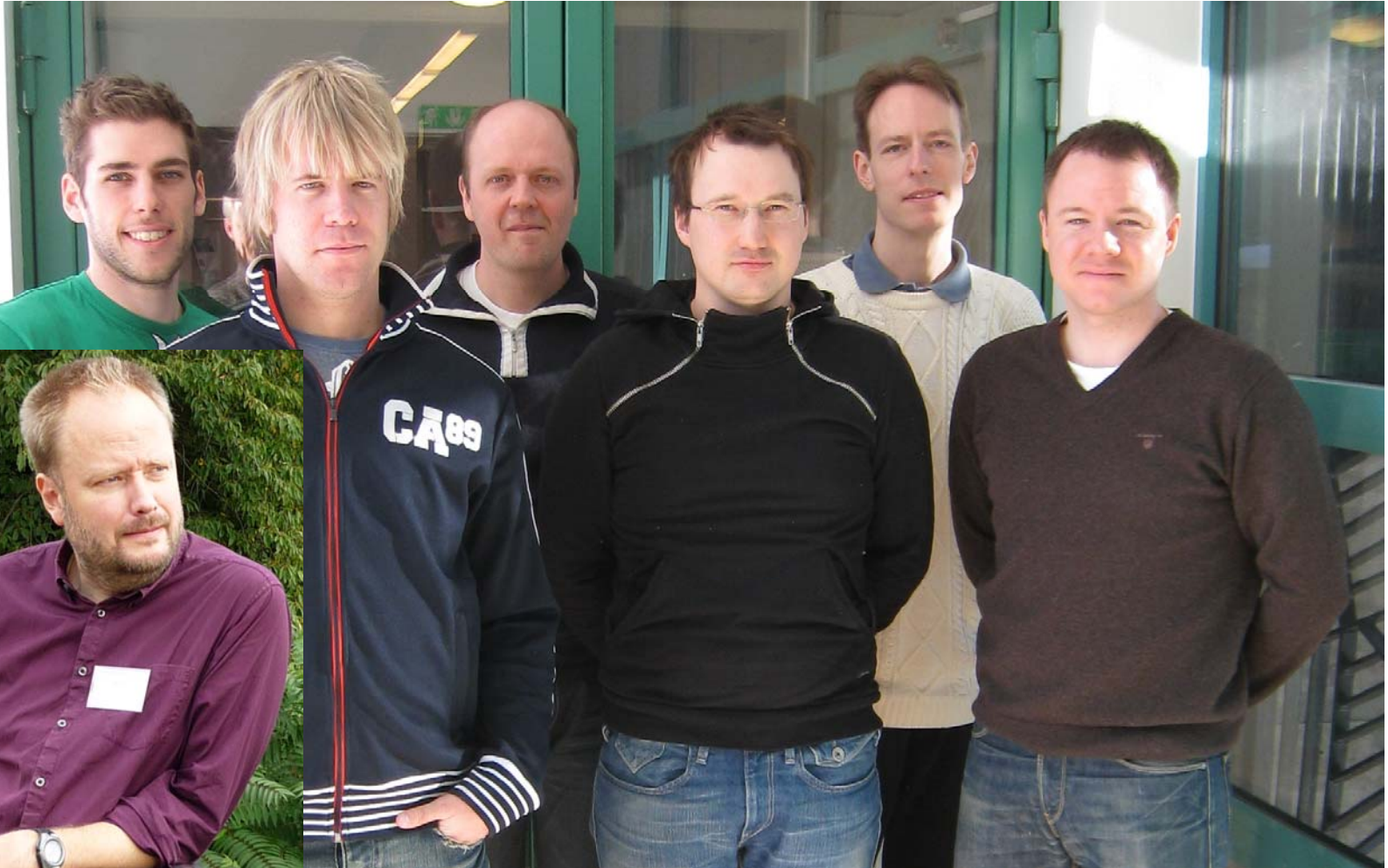
Tejn  
Vågstranda  
(*more Norway?*)

Kramfors  
Ratan  
Lycksele  
Skellefteå  
Kiruna  
Onsala  
Smögen  
Märtsbo

Comparisons?

- *Macedonia?*
- *FG5 workshop in Colorado?*
- *Relative measurements on Lake Vänern (ice)*

# Observers 2009



LANTMÄTERIET